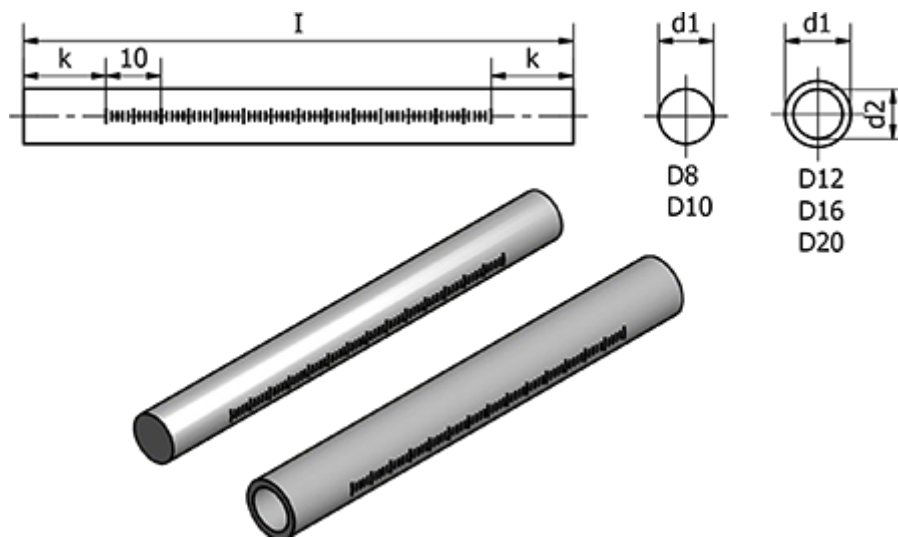


Article number: 204801D16100NILS

Description: E+G Retaining tube with scales - GN 480.1-D16-100-NI-LS

Measures



$d1$	= 16
$d2$	= 13
l	= 100
k	= 20
Weight (g)	= 82